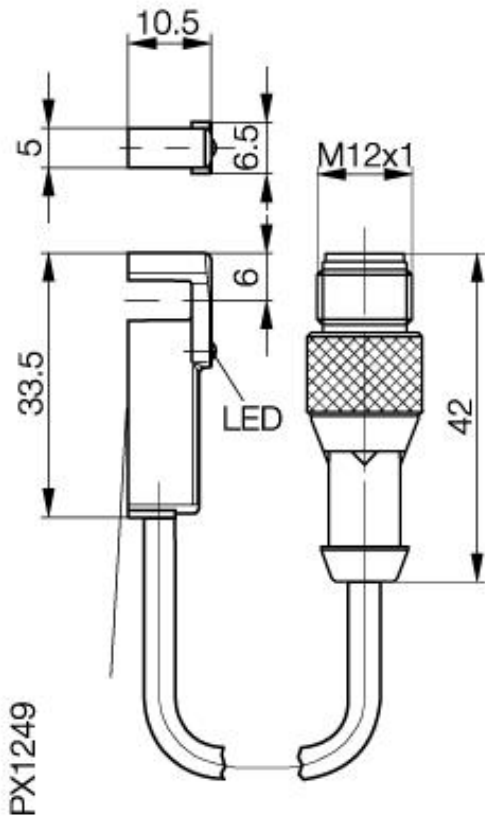


Magnetic Field Sensors
BMF 305K-PS-C-2-S4-00,5
33,5x10,5x6,5
Short circuit protection



Common Data

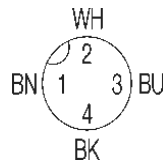
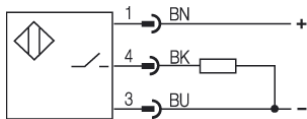
| | |
|----------------------------------|---------------|
| Assured operating field strength | 2kA/m |
| Repeatability R | 1,0% v. Hn |
| Hysteresis | 45% v. Hn |
| Function indication | yes |
| Ambient temperature range | -25...+70°C |
| Temp.Drift from Switch. Pnt | 0,3%/°C v. Hn |

Mechanical Data

| | |
|-----------------------------|-------------------------|
| Measurements BxHxT oder DxT | 33,5x10,5x6,5mm |
| Housing material | LCP |
| Material of sensing face | PU |
| Degree of protection | IP67IP |
| Connection | Cable with Connector S4 |

Electrical Data

| | |
|-------------------------------------|------------------|
| Current type | DC |
| Wiring | 3-Wire |
| switching function | normally-open |
| Output signal | PNP |
| Rated operational voltage | 24 DCV |
| Rated operational current | 200 (150/70°C)mA |
| Supply voltage | 10...30V |
| Ripple | ≤ 15% v. Ub |
| Rated supply frequency | DCHz |
| No-load supply current | ≤30/≤10mA |
| Off-state current | ≤ 80µA |
| Maximum operational current | 200mA |
| Voltage drop | ≤ 2,5V |
| Switch-On-Delay | 0,05ms |
| Switch-Off-Delay | 0,05ms |
| Short circuit protection | yes |
| Protected against polarity reversal | yes |



Datasheet number:

Definitions see general catalog.

If not otherwise noted, ratings according to IEC 60947-5-2 (DIN EN60947-5-2)

Balluff GmbH
 Schurwaldstrasse 9
 73765 Neuhausen a.d.F.
 Phone (07158) 173-0 Fax (07158) 5010

Datenblatt by CD-ROM - 04/2007

BALLUFF
 sensors worldwide